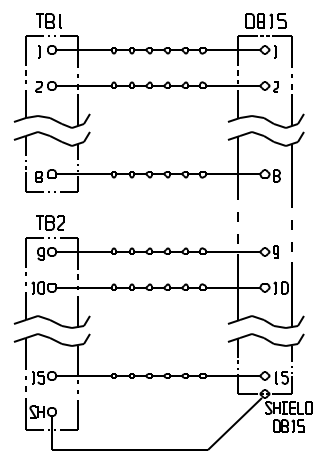
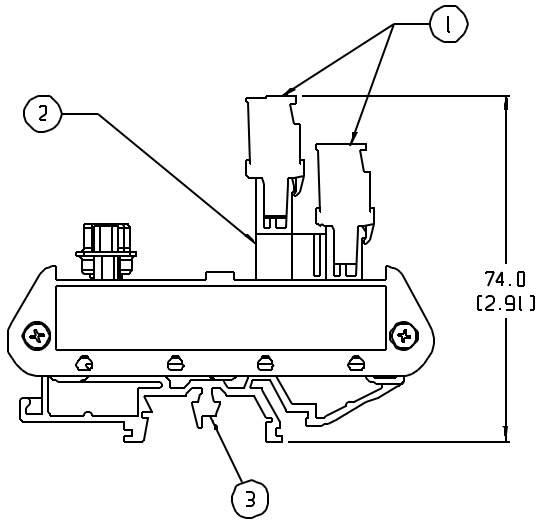


15 POSITION SHOWN



TYPICAL SCHEMATIC  
(15 POSITION SHOWN)

NO. OF CIRCUITS	DIM. "A"		MATERIAL NUMBER
09	39.4	[1.55]	39170-2109
15	54.4	[2.14]	39170-2115
25	79.8	[3.14]	39170-2125
37	106.4	[4.19]	39170-2137

NOTES:

1. MATERIAL: SEE TABLE
2. FINISHES: SEE TABLE
3. PRODUCT SPECIFICATION: NOT REQUIRED
4. PACKAGING: NOT REQUIRED
5. MATES WITH: FEMALE D-SUB

ITEM	QTY.	DESCRIPTION	MATERIAL	FINISH
3	2	DIN RAIL ADAPTOR UNIT	THERMOPLASTIC	BLACK
2	1	MALE D-SUB TO 5.08 HEADER, PC BOARD ASSY.	-	-
1	2	5.08 PLUGGABLE BTS	SEE SD-39860-004	BLACK

RELEASED  
CLY

EC NO. DRWN: CJK  
CHK: APPR:

DESCRIPTION

REV A

QUALITY SYMBOLS

MAJOR =

CRITICAL =

SPEC =

GENERAL TOLERANCES:  
(UNLESS SPECIFIED)

	mm	INCH
4 PLACES	±.0015	±.0015
3 PLACES	±.038	±.005
2 PLACES	±.13	±.01
1 PLACE	±.3	

ANGULAR: ±2°

DRAFT WHERE APPLICABLE MUST REMAIN WITHIN DIMENSIONS

SCALE 1:1

DESIGN UNITS  mm  INCH

THIRD ANGLE PROJECTION

DRWN BY & DATE  
C. YORK 11-09-04

CHECKED BY & DATE

APPROVED BY & DATE

CAD FILENAME  
SD-39170-003

PROJECT NO. 05-010

SH	REV
-	-

DIMENSIONS:  
 DIM INCH  INCH FIT  DIM ONLY

REVISE ON CAD ONLY

TITLE: DIN RAIL INTERFACE MODULE, MALE D-SUB TO 5.08 VERTICAL EUROSTYLE PLUG

MOLEX INCORPORATED

MATERIAL NO. SEE CHART

DRAWING NO. SD-39170-003

SHEET NO. 1 OF 1

SIZE B

THIS DRAWING CONTAINS INFORMATION THAT IS PROPRIETARY TO MOLEX (INCORPORATED) AND SHOULD NOT BE USED WITHOUT WRITTEN PERMISSION.